

### DESCRIPTION

The SILE is an indoor single-pole off-circuit isolator, for general use.

For lines ranging from 12 to 36 kV, and with 400 and 630 A.

Mounted on a laminated steel frame, protected against corrosion by Epoxy paint. Supplied with Epoxy resin insulators. The sectioning blades are formed by two parallel tracks and a central contact, driven by a single shaft by means of connecting rods.

Manufactured to UNE-EN 62271-102 standards.

### ACCESORIES

- **Auxiliary contacts**

The isolator can be equipped with auxiliary signalling contacts.

- **Locking by means of a lock**

The locking of the isolator can be performed by means of a HERPE, RONIS or similar lock, in order to lock the isolator into the connected or the disconnected position. In principle, they are installed in the P1-type switching control, except with lever-operated type 01, 02 or 05 drives, in which case the lock is placed on the end of the isolator spindle. In order to ensure that the isolator always cuts off in an off-circuit state, it should be coordinated with another lock of the same kind, mounted on the master switch.

### DRIVE

The switching spindle is designed in order to be activated from the right or from the left, indistinctly, by means of the following control transmissions:

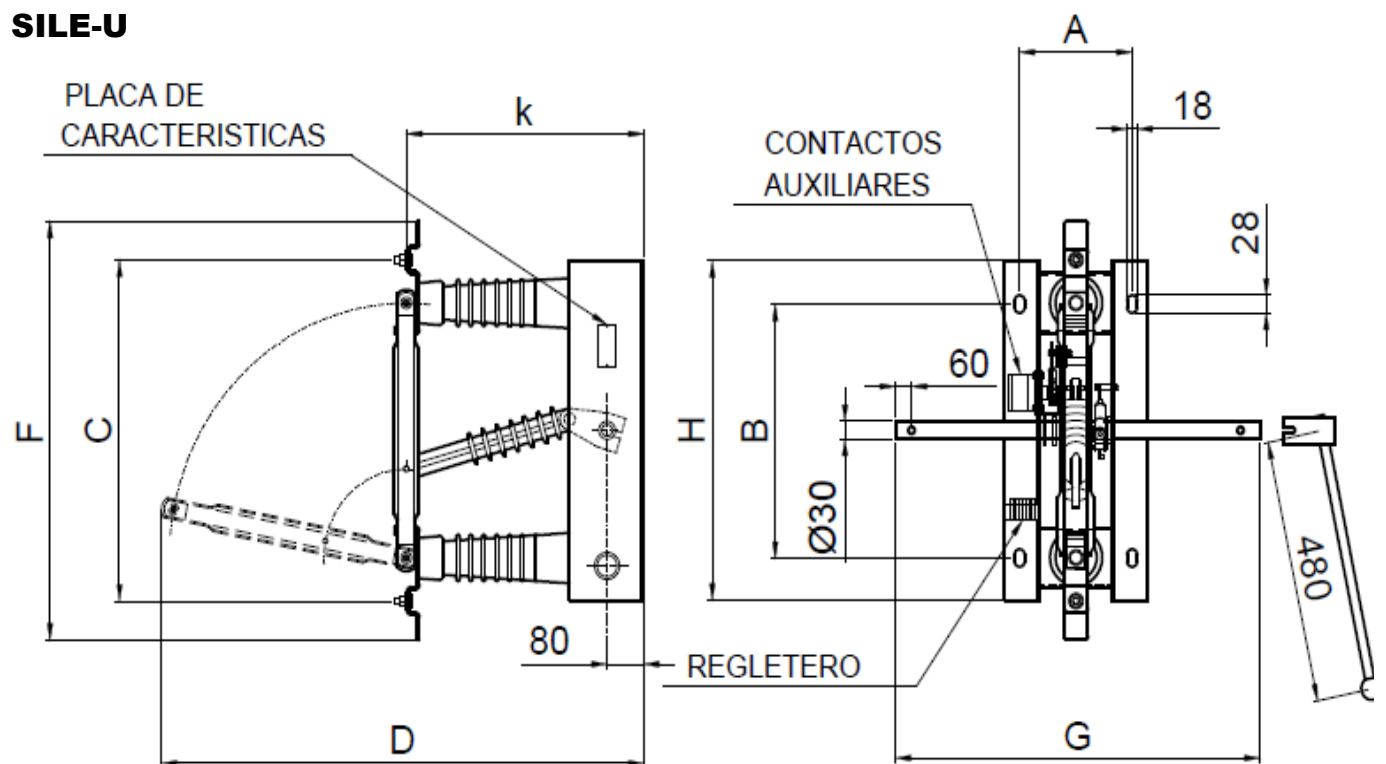
- **Lever 01**  
Drive by a lever with an opening on the end for switching by means of a pole.
- **Lever 02**  
Drive by a lever with an opening on the end for switching by means of a pole.
- **Lever 05**  
Drive by a ball-ended lever for direct switching.
- **P1 Type**  
Drive by a front ball ended lever, with a transmission connecting rod (lateral output).
- **Extension Shaft**  
An extension shaft can be fitted to all of the transmissions, if the control so requires.

### ELECTRICAL CHARACTERISTICS

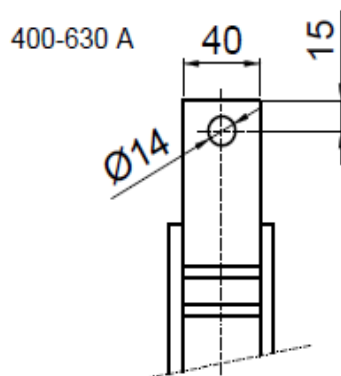
TIPE	RATED VOLTAGE kV	LEVEL OF INSULATION		RATED CURRENT A	THERMAL CURRENT 1 Sec. kA	DINAMIC CURRENT kA
		BETWEEN PHASES AND MASS kV/kV	IN ISOLATING DISTANCE kV/kV			
SILE-U/7.2	7.2	20/60	23/70	400 630	16	40
SILE-U/12	12	28/75	32/85	400 630	16	40
SILE-U/24	24	50/125	60/145	400 630	16	40
SILE-U/36.1	36	70/145	80/165	400 630	16	40
SILE-U/36	36	70/170	80/195	400 630	16	40

## SILE-U DIAGRAMS

### SILE-U



Bornes de contacto



#### TIGHTENING TORQUE

M12 Terminal phase:	20 N.m
Earth terminal M16:	45 N.m
Base fixings M16:	164 N.m

#### DIMENSIONS (mm)

TIPE	RATED VOLATGE	CURRENT	A	B	C	D	F	G	H	K
	kV	A								
SILE-7.2U	7.2	400	200	280	340	495	450	500	340	275
		630								
SILE-12U	12	400	200	280	340	495	450	500	340	275
		630								
SILE-24U	24	400	200	336	456	695	566	650	470	361
		630								
SILE-36U	36	400	200	450	570	885	680	800	584	436
		630								