



CHARACTERISTICS MOL-2 & MOL-2/C

Denomination _____	MOL-2 bipolar MOL-2/C bipolar
Product Standards _____	UNE-EN 62271-103
Rated Voltage _____	3,6 kV
Rated Current _____	200 A
Isolation level _____	12/46 kV/kV
Rated breaking current _____	200 A
Short-time thermal current (1s) _____	3000 A
Rated dynamic current _____	7500 Â
Making power in c.c. _____	7500 Â
Mechanical Endurance _____	More than 1000 operating cycles
Degree of protection _____	IPH3, according to 20099 (With mobile body removed, the degree of protection of the fixed body is IPH2).

DESCRIPTION

The MOL switch is a set encapsulated in epoxy resin, consisting of a fixed body and another mobile that slides on the previous one, according to the hip-flask system, and mounted on a frame with 4 holes for its fixation on a vertical surface by screws M8x30.

A control device by lever and spring makes the moving body slide over the fixed one, effecting in this way the sudden making and breaking operations, independent of the operator.

A system of triggers with springs and hinges allows the total extraction of the moving part, exposing the insulating nozzles of the fixed contacts.

The control lever allows locking the spring device in the open position or the closed position.

The fixed body is the fixed contact carrier. The fixed contacts are inserted in the epoxy resin during the casting process. Each fixed contact is screwed to a contact holder. The whole is enclosed by a nozzle of insulating material.

The mobile body contains the moving contacts, with copper-tungsten head as arc extinguishing element. Every two contacts, which constitute a phase, are joined by a copper plate for the MOL-2 switch and by a clamp set and fusible cartridges for the MOL-2/C type.

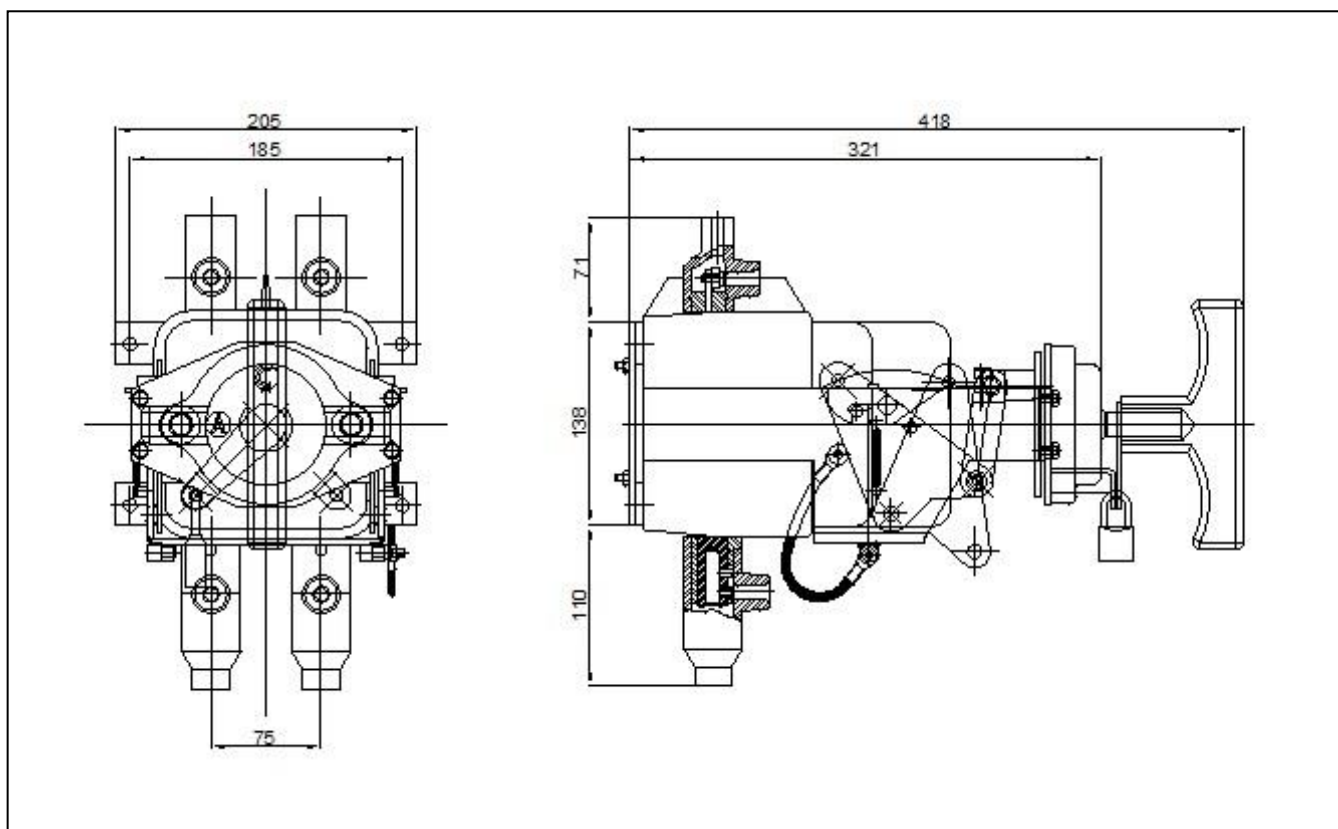
A letter "A" is incorporated in the command plate support pointing the open position (disconnected) and the letter "C" indicates the coded position (connected), in alignment with the own joystick.

The name plate is made of insulating material and is placed on the front of the mobile body.

The input terminals of the switch allow two conductors to be connected by means of a flange and the output ones by a conductor by means of Allen-type fixing screws.

These terminals are protected by insulating caps that can slide on the conductors and are provided with a hole that allows the voltage check.

DIMENSIONS MOL-2 bipolar (mm)



MAINTENANCE

The maintenance of this device is very simple. The mechanical part should be greased every 4 or 5 years; the electrical part when it is observed that the contacts of the mobile body have arrived, due to their wear, to one third of their initial volume.

Spare parts:

<i>Description</i>	<i>Reference</i>	<i>Quantity.</i>
Fixed contact	IR3-915	4
Mobile contact	IR3-914	4
Nozzle	IR2-805	4

The tightening torque is the torque that is exerted on a nut or on a screw to ensure correct tightening:

M5 Terminal phase:	1,5 N.m
Earth terminal M10:	11 N.m
Base fixings M8:	20 N.m